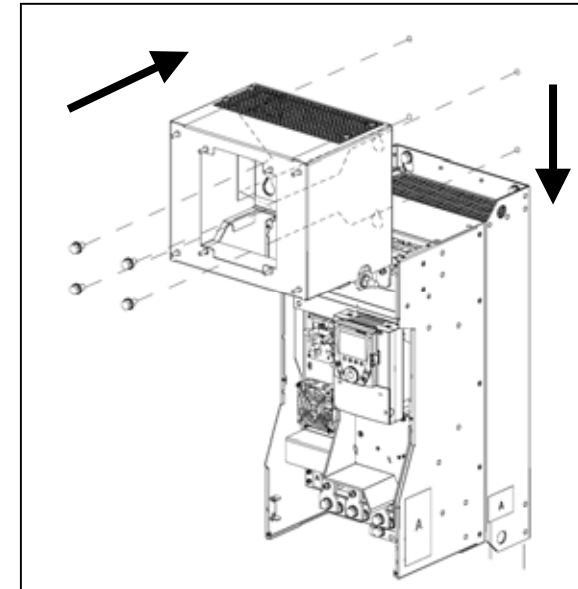
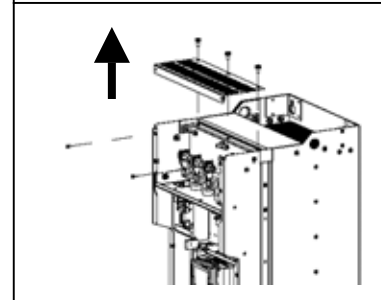
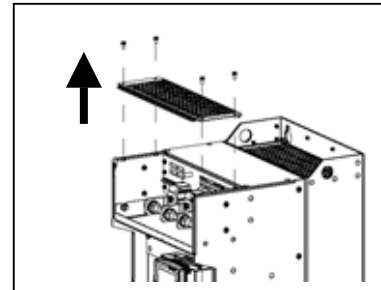
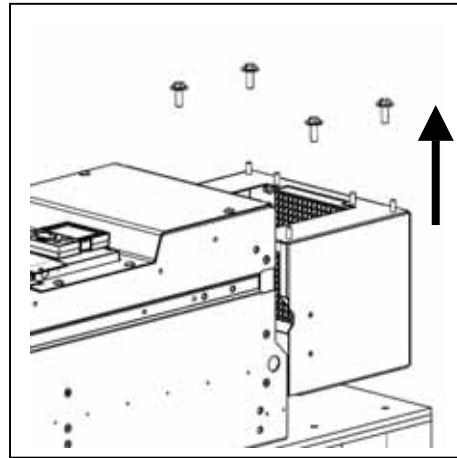
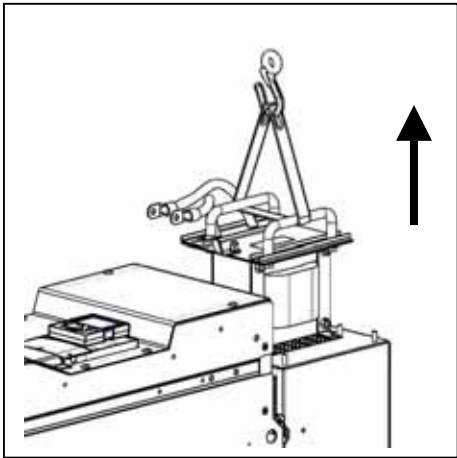
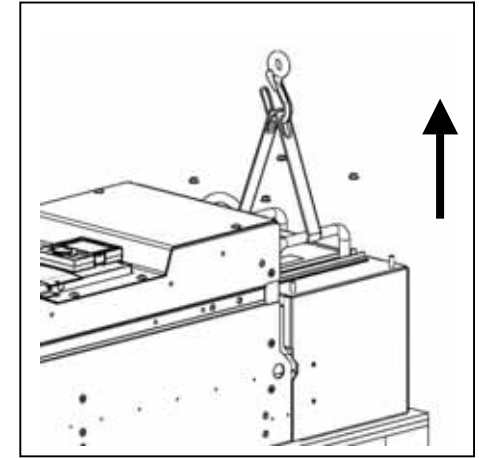
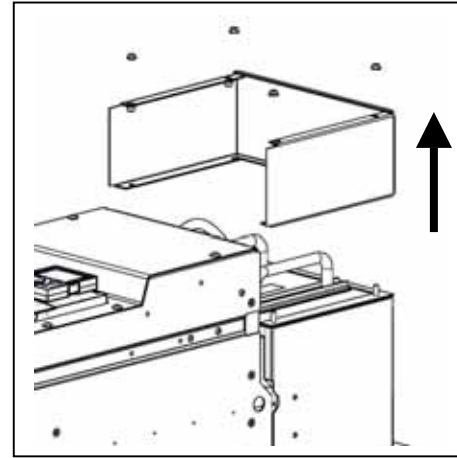
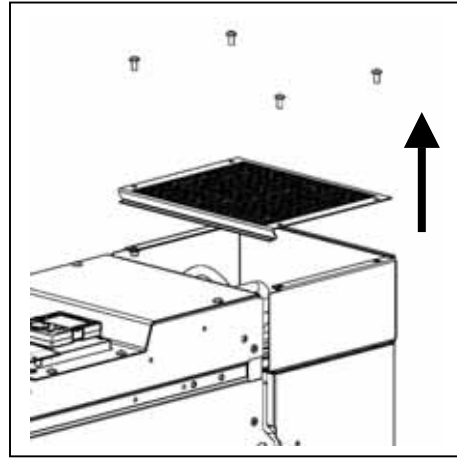
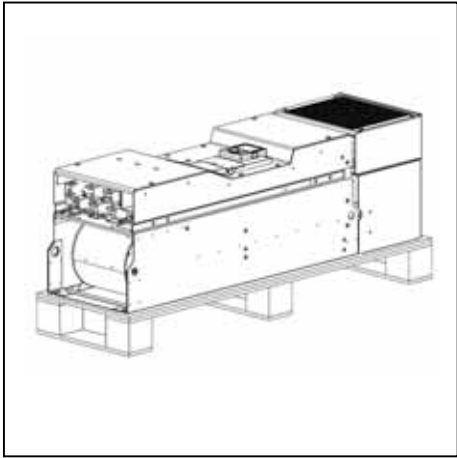


DC choke kit installation sheet

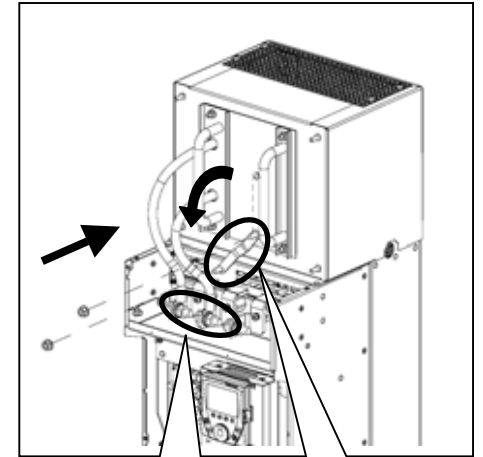
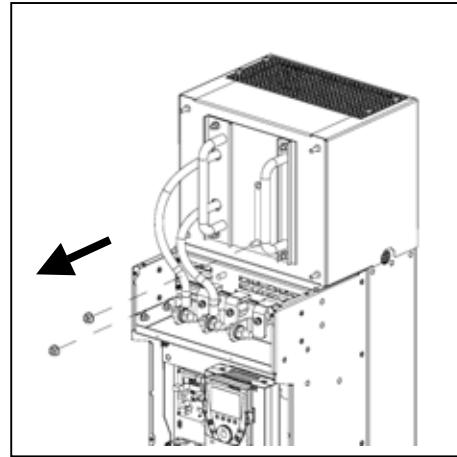
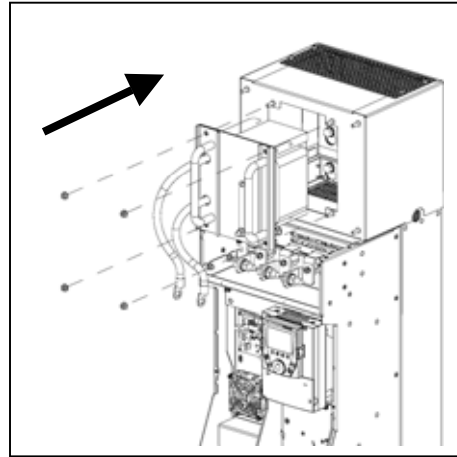
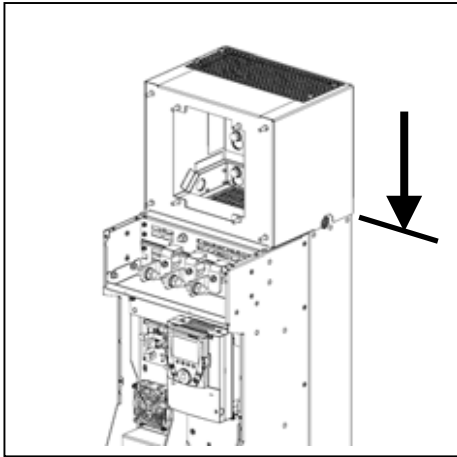
E6581346



Revision 02 01-2007

DC choke kit installation sheet

E6581346



M12:41Nm /
360 lb.in

M8:12Nm /
106 lb.in

